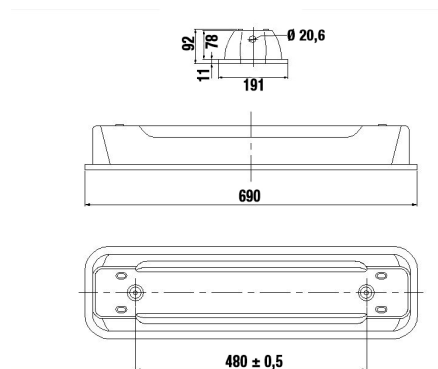
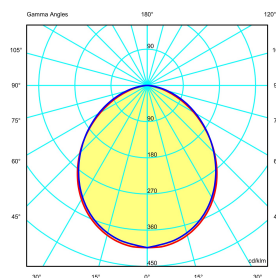


**SERIES RINO LED  
FIXTURE**

**CODE 822240**



### Datasheet

#### Specifications

Net Weight	6.356 KG
Photometric (JPEG/PNG)	9-simmetrica diffondente.jpg
Photometric curve (format .LDT)	822240.LDT
Frequency	0/50/60Hz
IP Protection degree	IP66
Rated operating voltage	220V-240V
Manufacturing material	Stainless steel AISI 304
Power on label (lighting)	48 W
Luminaire power	48 W
Insulation Class	I
Emergency characteristics	X 1 E 60
Light source type	LED
Dimensions	1300X200X100 mm
Hole type	M20
Optics type	WHITE PAINTED REFLECTOR
Diffuser type	TRANSPARENT GLASS
Color temperature	4000K
Power Supply Unit	Electronic
Luminous flux (TJ=25°C)	5,900 lm
Min. Amb. Temp.	-20°C
Max. Amb. Temp.	+40°C

#### Reference Standards and Directives

Certification and approval marks CE

Directives 2009/125/EC (ERP), 2011/65/EU (RoHS), 2012/19/EU (WEEE), 2014/30/EU (EMC), 2014/35/EU (LVD)

Reference Standards EN 60598-1:2015, EN 60598-2-1:1989, EN 60598-2-22:2014, EN 62471:2008, EN 62493:2015, EN IEC 63000:2018

The images are purely indicative. Palazzoli reserves the right to make changes without notice.