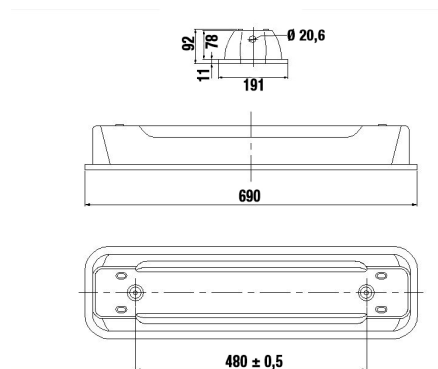
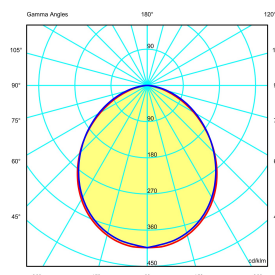


**SERIES RINO LED
FIXTURE**

CODE 822142



Datasheet

Specifications

Net Weight	3.423 KG
Photometric curve (format .LDT)	822142.LDT
Photometric (JPEG/PNG)	9-simmetrica diffondente.jpg
Frequency	0/50/60Hz
IP Protection degree	IP66
Rated operating voltage	220V-240V
Manufacturing material	Stainless steel AISI 304
Power on label (lighting)	22 W
Luminaire power	22 W
Insulation Class	I
Light source type	LED
Dimensions	690X200X100 mm
Hole type	M20
Optics type	WHITE PAINTED REFLECTOR
Diffuser type	SATIN TEMPERED GLASS
Color temperature	4000K
Power Supply Unit	Electronic
Luminous flux (TJ=25°C)	3,170 lm
Min. Amb. Temp.	-20°C
Max. Amb. Temp.	+40°C

Reference Standards and Directives

Certification and approval marks CE

Directives 2009/125/EC (ERP), 2011/65/EU (RoHS), 2012/19/EU (WEEE), 2014/30/EU (EMC), 2014/35/EU (LVD)

Reference Standards EN 55015:2013, EN 60598-1:2015, EN 60598-1:2015/A1:2018, EN 60598-1:2015/AC:2015, EN 60598-1:2015/AC:2016, EN 60598-1:2015/AC:2017, EN 60598-2-1:1989, EN 60598-2-2:2014, EN 60598-2-2:2014/AC:2015, EN 61000-3-2:2014, EN 61000-3-3:2013, EN 61547:2009, EN 62311:2008, EN 62471:2008, EN 62493:2015, EN IEC 63000:2018

The images are purely indicative. Palazzoli reserves the right to make changes without notice.