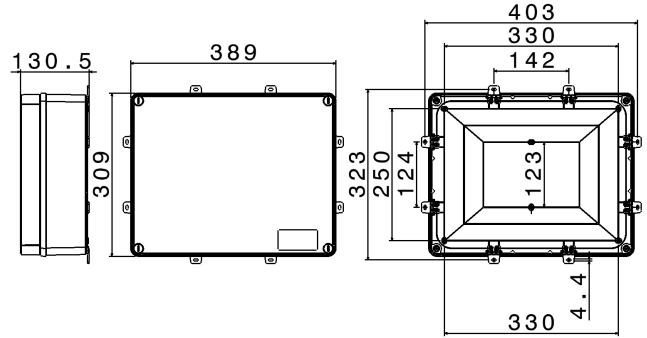




**SERIES TERBOX
ENCLOSURE**
CODE 791210



Datasheet

Electrical characteristics

Insulation Class	II
Rated insulation voltage	-
Rated operating voltage	-
Dissipable Power	-

Mechanical characteristics

Manufacturing material	Technopolymer Recyclable Palazzoli
Treatment type	-
Surface finishing	-
Color	Grey RAL 7035
Execution	Wall mounting
Height Box	82 mm
Cover height	48 mm
Cover type	Blind
N. of modules on DIN rail	-
Hole type	-
Window type	-
IP Protection degree	IP56
Additional IPdegree protection	-
Shock resistance	IK08 according to IEC/EN 62262
Resistance to Glow wire	650°C
Flame rating according UL94	HB
Corrosivity category	-
Working Environment Temp.	Min: -25°C ;Max: +60°C
Warehousing Temperature	Min: -30°C ;Max: +70°C
Dimensions	390X310X130 mm
Internal dimensions	379X297X121 mm
Net Weight	1.52 KG

Reference Standards and Directives

Certification and approval marks	CE, UKCA
Directives	2014/35/EU (LVD)
Reference Standards	EN 60670-1:2005, EN 60670-1:2005/A1:2013, EN 60670-1:2005/AC:2007, EN 60670-1:2005/AC:2010, EN 60670-22:2006

The images are purely indicative. Palazzoli reserves the right to make changes without notice.