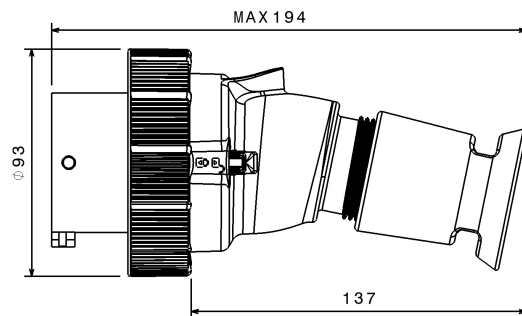




**SERIES X-CEE
PLUG
CODE 760226**



Datasheet

Electrical characteristics

Rated current	32A
Supply Voltage	230V 50/60Hz ●
Poles	2P+ \perp
Clock Position	6h
Rated insulation voltage	690 V
Signal plug inserted	-

Reference Standards and Directives

Certification and approval marks	NYCE COLOMBIA, UKCA, CE
Directives	2011/65/EU (RoHS), 2012/19/EU (WEEE), 2014/35/EU (LVD)
Reference Standards	EN 50581:2012, EN 60309-1:1999, EN 60309-1:1999/A1:2007, EN 60309-1:1999/A1AC:2014, EN 60309-1:1999/A2:2012, EN 60309-2:1999, EN 60309-2:1999/A1:2007, EN 60309-2:1999/A2:2012, EN IEC 63000:2018

Mechanical characteristics

Manufacturing material	High resistance technopolymer
Alveolus/plugs treatment	Nickel plated
Color	Grey RAL 7046, Blue RAL 5015
Tightening diameter	9÷23 mm
Execution	Mobile
IP Protection degree	IP66/IP67
Additional IPdegree protection	IP68/IP69 - IEC 60529
Shock resistance	IK10 according to IEC/EN 62262
Resistance to Glow wire	850°C (Casing), 960°C (Live contacts)
Flame rating according UL94	V-2 (Casing), V-0 (Live contacts)
Terminals type	Screw - indirect clamping
Conductors section	Min: 1 mm ² ;Max: 10 mm ²
Terminal tightening torque	2 Nm
Net Weight	0.297 KG
Working Environment Temp.	Min: -40°C ;Max: +60°C
Warehousing Temperature	Min: -50°C ;Max: +90°C

The images are purely indicative. Palazzoli reserves the right to make changes without notice.