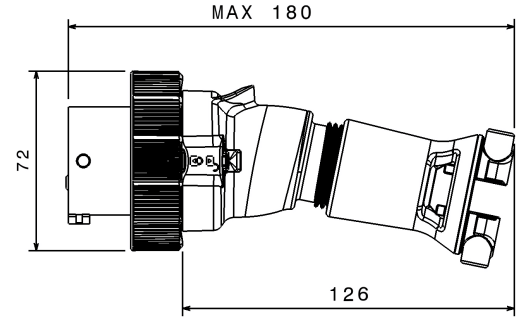




**SERIES X-CEE-EX  
PLUG  
CODE 760124EX**



## Datasheet

### Electrical characteristics

Rated current	16A
Supply Voltage	110V 50/60Hz ●
Poles	2P+ $\frac{1}{2}$
Clock Position	4h
Rated insulation voltage	690 V
Signal plug inserted	-

### Atex characteristics

ATEX application zone	Zones 2-21-22
Dust Atex execution (Tmax1)	II 2D - Ex tb IIIC T70 °C Db
Gas Atex execution (Tmax1)	II 3G - Ex ec IIC T6 Gc

### Mechanical characteristics

Manufacturing material	High resistance technopolymer
Alveolus/plugs treatment	Nickel plated
Color	Black RAL 9005
Tightening diameter	7 ÷ 15 mm
Execution	Mobile
IP Protection degree	IP66
Additional IPdegree protection	IP66/IP67 - IEC 60309-1
Shock resistance	7J (IEC 60079-0)
Resistance to Glow wire	960°C (Live contacts), 650°C (Handle)
Flame rating according UL94	V-0 (Live contacts)
Terminals type	Screw - indirect clamping
Conductors section (Cu)	Min: 1 mm <sup>2</sup> ;Max: 10 mm <sup>2</sup>
Terminal tightening torque	2 Nm
Net Weight	0.2 KG
Working Environment Temp.	Min: -40°C ;Max: +50°C
Warehousing Temperature	Min: -50°C ;Max: +90°C

### Reference Standards and Directives

Certification and approval marks	IECEx, EX, CE
Directives	2011/65/EU (RoHS), 2012/19/EU (WEEE), 2014/34/EU (ATEX)
Reference Standards	EN 60079-31:2014, EN 60079-7:2015, EN 60079-7:2015/A1:2018, EN 60309-1:1999, EN 60309-1:1999/A1:2007, EN 60309-1:1999/A1AC:2014, EN 60309-1:1999/A2:2012, EN 60309-2:1999, EN 60309-2:1999/A1:2007, EN 60309-2:1999/A2:2012, EN IEC 60079-0:2018, EN IEC 63000:2018

The images are purely indicative. Palazzoli reserves the right to make changes without notice.