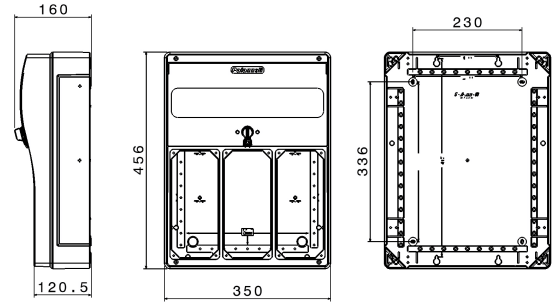




**SERIES TOP-TER
EMPTY DISTRIBUTION BOARD**
CODE **579865**



Datasheet

Electrical characteristics

Insulation Class	II
Rated insulation voltage	690 V
Dissipable Power	56W

Reference Standards and Directives

Certification and approval marks NYCE COLOMBIA, CE, UKCA

Directives 2014/35/EU (LVD)

Reference Standards EN 62208:2011

Mechanical characteristics

Manufacturing material	Technopolymer Recyclable Palazzoli
Color	Grey RAL 7035
Execution	Wall mounting
Door type	-
Number and type of closures	1 rotary lever closure
N. of modules on DIN rail	16
IP Protection degree	IP66
Shock resistance	IK08 according to IEC/EN 62262
Resistance to Glow wire	650°C
Flame rating according UL94	HB
Corrosivity category	-
Working Environment Temp.	Min: -25 °C ;Max: +50 °C
Warehousing Temperature	Min: -30 °C ;Max: +70 °C
Dimensions	350X456X160 mm
Internal dimensions	-
Net Weight	2.9 KG
Maximum permissible load	On the doors: 0 kg; Mounting surfaces: 20 kg; On the bottom: 0 kg

The images are purely indicative. Palazzoli reserves the right to make changes without notice.