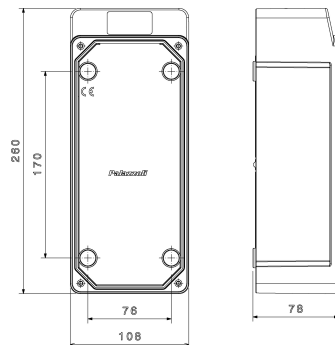




SERIES TOP-TER
CMP_CASS
CODE 579710



Datasheet

Electrical characteristics

Insulation Class	II
Rated insulation voltage	1000 V
Rated operating voltage	-
Dissipable Power	-

Mechanical characteristics

Manufacturing material	Technopolymer Recyclable Palazzoli
Treatment type	-
Surface finishing	-
Color	Grey RAL 7035
Execution	Wall mounting
Height Box	78 mm
Cover type	-
N. of modules on DIN rail	-
Hole type	-
Window type	-
IP Protection degree	IP66/IP67
Additional IPdegree protection	-
Shock resistance	IK08 according to IEC/EN 62262
Resistance to Glow wire	650°C
Flame rating according UL94	HB
Corrosivity category	-
Working Environment Temp.	Min: -25°C ;Max: +50°C
Warehousing Temperature	Min: -30°C ;Max: +70°C
Dimensions	108X260X78 mm
Internal dimensions	-
Net Weight	0.27 KG

Reference Standards and Directives

Certification and approval marks CE, UKCA, NYCE COLOMBIA

Directives 2014/35/EU (LVD)

Reference Standards EN 62208:2011

The images are purely indicative. Palazzoli reserves the right to make changes without notice.