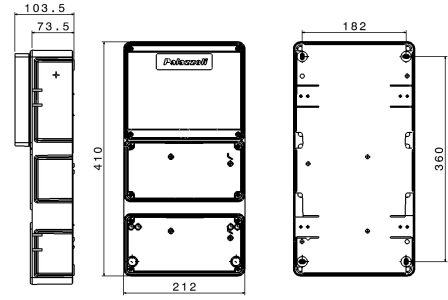




SERIES PRIMA
EMPTY DISTRIBUTION BOARD
CODE 579621



Datasheet

Electrical characteristics

| | |
|--------------------------|-------|
| Insulation Class | II |
| Rated insulation voltage | 690 V |
| Dissipable Power | 36W |

Reference Standards and Directives

| | |
|----------------------------------|------------------|
| Certification and approval marks | UKCA, CE |
| Directives | 2014/35/EU (LVD) |
| Reference Standards | EN 62208:2011 |

Mechanical characteristics

| | |
|-----------------------------|---|
| Manufacturing material | Technopolymer Recyclable Palazzoli |
| Color | Grey RAL 7035 |
| Execution | Wall mounting |
| Door type | - |
| Number and type of closures | 1 rotary lever closure |
| N. of modules on DIN rail | - |
| IP Protection degree | IP55 |
| Shock resistance | IK08 according to IEC/EN 62262 |
| Resistance to Glow wire | 650°C |
| Flame rating according UL94 | HB |
| Corrosivity category | - |
| Working Environment Temp. | Min: -25 °C ;Max: +50 °C |
| Warehousing Temperature | Min: -30 °C ;Max: +70 °C |
| Dimensions | 410X212X104 mm |
| Internal dimensions | - |
| Net Weight | 1.01 KG |
| Maximum permissible load | Mounting surfaces: 10 kg; On the doors: 0 kg; On the bottom: 0 kg |

The images are purely indicative. Palazzoli reserves the right to make changes without notice.