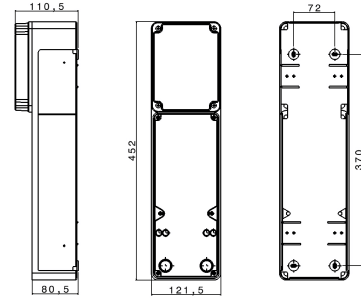




**SERIES TOP-TER
EMPTY DISTRIBUTION BOARD**
CODE 579421



Datasheet

Electrical characteristics

Insulation Class	II
Rated insulation voltage	690 V
Dissipable Power	22W

Reference Standards and Directives

Certification and approval marks	UKCA, CE
Directives	2014/35/EU (LVD)
Reference Standards	EN 62208:2011

Mechanical characteristics

Manufacturing material	Technopolymer Recyclable Palazzoli
Color	Grey RAL 7035
Execution	Wall mounting
Door type	-
Number and type of closures	-
N. of modules on DIN rail	-
IP Protection degree	IP65
Shock resistance	IK08 according to IEC/EN 62262
Resistance to Glow wire	650°C
Flame rating according UL94	HB
Corrosivity category	-
Working Environment Temp.	Min: -25 °C ;Max: +50 °C
Warehousing Temperature	Min: -30 °C ;Max: +70 °C
Dimensions	122X452X111 mm
Internal dimensions	-
Net Weight	0.61 KG
Maximum permissible load	On the bottom: 0 kg; Mounting surfaces: 10 kg; On the doors: 0 kg

The images are purely indicative. Palazzoli reserves the right to make changes without notice.