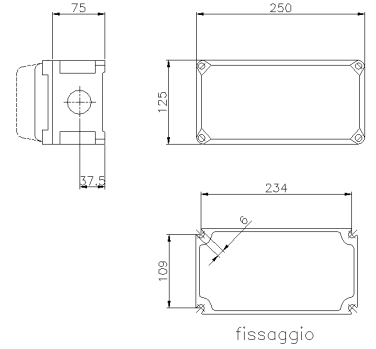



**SERIES TAIS
ENCLOSURE
CODE 532618**



Datasheet

Specifications

Net Weight	1.02 KG
IP Protection degree	IP67
Manufacturing material	Palazzoli Thermosetting GRP
Height Box	75 mm
Execution	Wall mounting
Cover type	Blind
Outfit	WITHOUT PLATE
Insulation Class	II
Dimensions	250X125 mm
Window type	
Hole type	Pg29-Pg36
Number of entries in enclosure	3
Cover height	50 mm

Reference Standards and Directives

Certification and approval marks	CE
Directives	2014/35/EU (LVD)
Reference Standards	EN 60670-1:2005, EN 60670-1:2005/A1:2013, EN 60670-1:2005/AC:2007, EN 60670-1:2005/AC:2010, EN 60670-22:2006, EN 62208:2011

The images are purely indicative. Palazzoli reserves the right to make changes without notice.