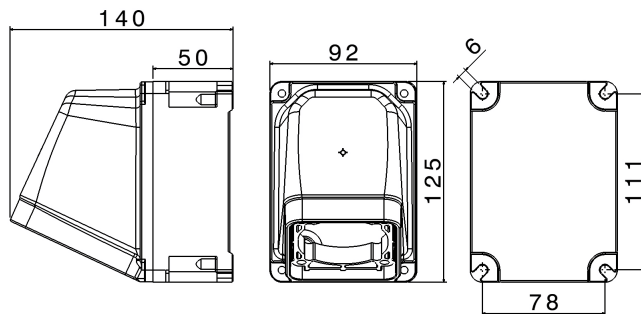
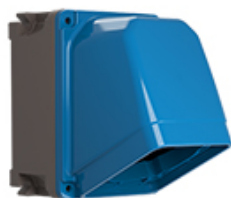




**SERIES TAIS
ENCLOSURE
CODE 532131**



Datasheet

Electrical characteristics

Insulation Class	II
Rated insulation voltage	-
Rated operating voltage	-
Dissipable Power	-

Mechanical characteristics

Manufacturing material	Palazzoli Thermosetting GRP
Treatment type	-
Surface finishing	-
Color	RAL 7042 (Base), Blue RAL 5015 (Cover)
Execution	Wall mounting
Cover type	-
N. of modules on DIN rail	-
Hole type	-
Window type	-
IP Protection degree	IP66/IP67
Additional IPdegree protection	IP68/IP69 - IEC 60529
Shock resistance	IK10 according to IEC/EN 62262
Resistance to Glow wire	850°C
Flame rating according UL94	V-0
Corrosivity category	-
Working Environment Temp.	Min: -40°C ;Max: +90°C
Warehousing Temperature	Min: -50°C ;Max: +90°C
Dimensions	92X125 mm
Internal dimensions	-
Net Weight	0.393 KG

Reference Standards and Directives

Certification and approval marks UKCA, NYCE COLOMBIA, CE

Directives 2014/35/EU (LVD)

Reference Standards EN 62208:2011

The images are purely indicative. Palazzoli reserves the right to make changes without notice.