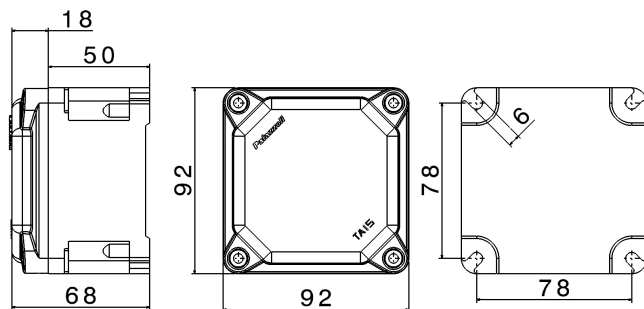




**SERIES TAIS-Ex
ENCLOSURE**
CODE **532035EX**



Datasheet

Electrical characteristics

Insulation Class	II
Rated insulation voltage	-
Rated operating voltage	-
Dissipable Power	8W

Mechanical characteristics

Manufacturing material	Palazzoli Thermosetting GRP
Treatment type	-
Surface finishing	-
Color	Black RAL 9005
Execution	Wall mounting
Height Box	50
Cover height	18
Cover type	Blind
N. of modules on DIN rail	-
Hole type	-
Window type	-
IP Protection degree	IP66
Additional IPdegree protection	-
Shock resistance	7J (IEC 60079-0)
Resistance to Glow wire	960°C
Flame rating according UL94	V-0
Corrosivity category	-
Working Environment Temp.	Min: -40°C ;Max: +40°C
Warehousing Temperature	Min: - ;Max: -
Dimensions	92X92X68 mm
Internal dimensions	-
Net Weight	0.29 KG

Atex characteristics

ATEX application zone	Zones 1-2-21-22
Dust Atex execution (Tmax1)	II 2D - Ex tb IIIC Db
Gas Atex execution (Tmax1)	II 2G - Ex eb IIC Gb

Reference Standards and Directives

Certification and approval marks

Directives	2014/34/EU (ATEX)
------------	-------------------

Reference Standards	EN 60079-31:2014, EN 60079-7:2015, EN 60079-7:2015/A1:2018, EN 60670-22:2006, EN 60670-22:2006/A11:2024, EN 60670-22:2006/A1:2024, EN 62208:2011, EN IEC 60079-0:2018, EN IEC 60670-1:2021, EN IEC 60670-1:2021/A11:2021
---------------------	--

The images are purely indicative. Palazzoli reserves the right to make changes without notice.