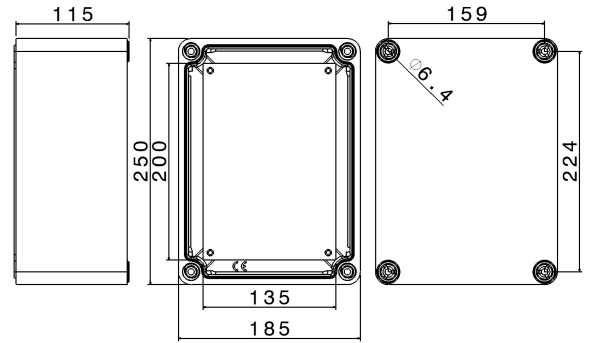
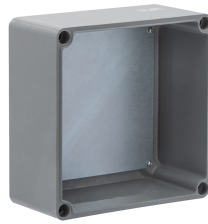




SERIES TAIS Grande
BOX FOR ENCLOSURE
CODE 531021



Datasheet

Electrical characteristics

| | |
|--------------------------|--------|
| Insulation Class | II |
| Rated insulation voltage | 1000 V |
| Rated operating voltage | - |
| Dissipable Power | - |

Mechanical characteristics

| | |
|--------------------------------|--------------------------------|
| Manufacturing material | Palazzoli Thermosetting GRP |
| Treatment type | - |
| Surface finishing | - |
| Color | Grey RAL 7042 |
| Execution | Wall mounting |
| Height Box | 115 mm |
| Cover type | - |
| N. of modules on DIN rail | - |
| Hole type | - |
| Window type | - |
| IP Protection degree | IP67 |
| Additional IPdegree protection | - |
| Shock resistance | IK10 according to IEC/EN 62262 |
| Resistance to Glow wire | 960°C |
| Flame rating according UL94 | V-0 |
| Corrosivity category | - |
| Working Environment Temp. | Min: -40°C ;Max: +90°C |
| Warehousing Temperature | Min: -50°C ;Max: +90°C |
| Dimensions | 250X185X115 mm |
| Internal dimensions | - |
| Net Weight | 2.27 KG |

Reference Standards and Directives

Certification and approval marks CE, NYCE COLOMBIA, UKCA

Directives 2014/35/EU (LVD)

Reference Standards EN 60670-1:2005, EN 60670-1:2005/A1:2013, EN 60670-1:2005/AC:2007, EN 60670-1:2005/AC:2010, EN 60670-22:2006, EN 62208:2011

The images are purely indicative. Palazzoli reserves the right to make changes without notice.