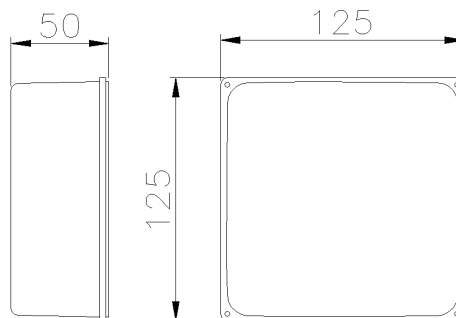




**SERIES ALUBOX
CON042
CODE 515214**



Datasheet

Electrical characteristics

Insulation Class	I
Rated insulation voltage	-
Rated operating voltage	-
Dissipable Power	-

Mechanical characteristics

Manufacturing material	Marine aluminium alloy (EN 44300)
Treatment type	Fluorozirconic passivation
Surface finishing	Non-toxic polyester paint anti UV curing in the oven
Color	Blue RAL 5012
Execution	-
Cover height	50 mm
Cover type	Blind
N. of modules on DIN rail	-
Hole type	-
Window type	-
IP Protection degree	IP67
Additional IPdegree protection	-
Shock resistance	IK10 according to IEC/EN 62262
Resistance to Glow wire	-
Flame rating according UL94	-
Corrosivity category	C4 (ISO 12944)
Working Environment Temp.	Min: -40°C ;Max: +90°C
Warehousing Temperature	Min: -50°C ;Max: +90°C
Dimensions	125X125X50 mm
Internal dimensions	-
Net Weight	0.26 KG

Reference Standards and Directives

Certification and approval marks CE, UKCA

Directives 2014/35/EU (LVD)

Reference Standards EN 60670-1:2005, EN 60670-1:2005/A1:2013, EN 60670-1:2005/AC:2007, EN 60670-1:2005/AC:2010, EN 60670-22:2006, EN 62208:2011

The images are purely indicative. Palazzoli reserves the right to make changes without notice.