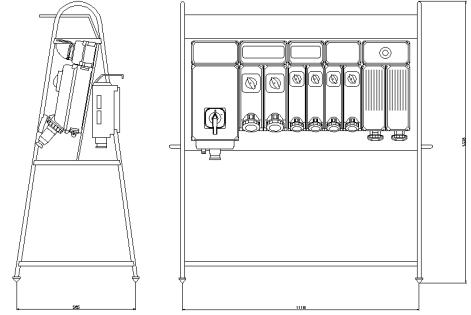


**SERIES ENERGY TAIS
DISTRIBUTION BOARD CONSTR.SITI
CODE 500753**



Datasheet

Specifications

Net Weight	90 KG
	ASC3
power	35 kW
Storage room temperature MIN	-50°C
Max. Amb. Temp.	+50°C
Min. Amb. Temp.	-25°C
Shock resistance	IK10 according to IEC/EN 62262
Storage room temperature MAX	+80°C
Rated current	63A
Frequency	50/60Hz
IP Protection degree	IP65
Poles	4P
Rated operating voltage	230-400V~
Manufacturing material	Palazzoli Thermosetting GRP
Socket Protection	With magnetothermic
Execution	Support
Outlet Sockets	5
Outfit	WITH SUPPORT
Insulation Class	II
Dimensions	1313X1335X565 mm
Hole type	Pg29
Interlocked sock.-outl. 16A 3P	1
Interlocked sock.-outl. 32A 3P	1
Interl. sock. 16A 2P+E 230V	3
Switch type	SEZ 4P 63A + MCB 4P 63A
Differential protection	63A 4P 30mA
Emergency button	Yes

Reference Standards and Directives

Certification and approval marks	UKCA, CE
Directives	2011/65/EU (RoHS), 2012/19/EU (WEEE), 2014/30/EU (EMC), 2014/35/EU (LVD)
Reference Standards	EN 61439-1:2011, EN 61439-4:2013, EN IEC 63000:2018

The images are purely indicative. Palazzoli reserves the right to make changes without notice.