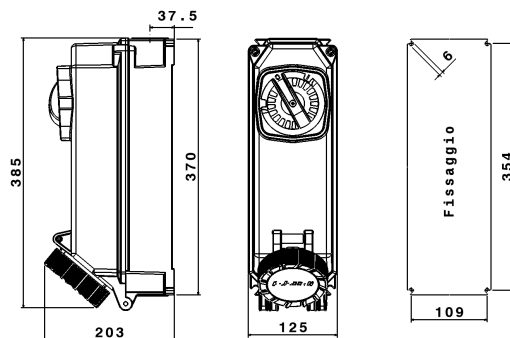




**SERIES TAIS
INTERLOCKED SOCKET
CODE 470336**



Datasheet

Electrical characteristics

Rated current	63A
Supply Voltage	400V 50/60Hz ●
Poles	3P+ $\frac{1}{2}$
Clock Position	6h
Rated insulation voltage	690 V
Insulation Class	II
Type of protection	-
Signal plug inserted	1 contact pilot

Mechanical characteristics

Manufacturing material	Palazzoli Thermosetting GRP
Treatment type	-
Surface finishing	-
Color	Grey RAL 7042, Blue RAL 5015
Width	125 mm
Execution	Wall mounting
Hole type	M32
IP Protection degree	IP66/IP67
Additional IPdegree protection	IP69 - IEC 60529
Shock resistance	IK10 according to IEC/EN 62262
Resistance to Glow wire	960°C
Flame rating according UL94	V-0
Corrosivity category	-
Net Weight	3.891 KG
Working Environment Temp.	Min: -25°C ;Max: +50°C
Warehousing Temperature	Min: -50°C ;Max: +80°C

Technical data switch

Thermal current	63 A
Rated short-circuit current	10 kA
Terminals type	Screw - indirect clamping
Conductors section	Min: 10 mm ² ;Max: 35 mm ²
Terminal tightening torque	3 Nm
Auxiliary status contacts	Max 2 (optional)
Padlockable handle	3 locks Ø8 mm max

Operating category

Categoria Rating	Tensione Voltage	Corrente / Potenza Current / Power
AC-22A	230 V	63 A
	400 V	63 A
	500 V	63 A
	690 V	63 A
AC-23A	230 V	63 A
	400 V	63 A
	500 V	63 A
	690 V	63 A
AC-23A / AC-3	230 V	15.9 kW
	400 V	27.7 kW
	500 V	34.6 kW
	690 V	47.8 kW

Reference Standards and Directives

Certification and approval marks UKCA, CE, NYCE COLOMBIA

Directives 2011/65/EU (RoHS), 2012/19/EU (WEEE), 2014/35/EU (LVD)

Reference Standards EN 60309-1:1999, EN 60309-1:1999/A1:2007, EN 60309-1:1999/A1AC:2014, EN 60309-1:1999/A2:2012, EN 60309-2:1999, EN 60309-2:1999/A1:2007, EN 60309-2:1999/A2:2012, EN IEC 63000:2018

The images are purely indicative. Palazzoli reserves the right to make changes without notice.