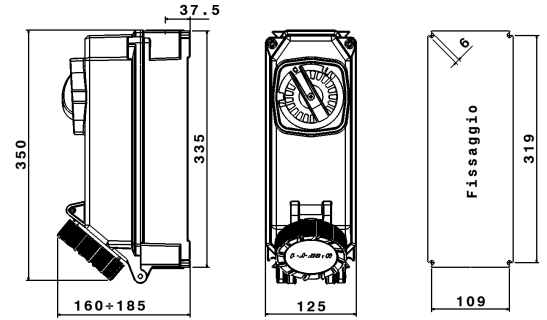




**SERIES TAIS-Ex**  
**INTERLOCKED SOCKET**  
**CODE 461124EX**



## Datasheet

### Electrical characteristics

Rated current	16A
Supply Voltage	110V 50/60Hz <span style="color: yellow;">●</span>
Poles	2P+ $\frac{1}{2}$
Clock Position	4h
Rated insulation voltage	690 V
Insulation Class	II
Type of protection	-
Signal plug inserted	-

### Mechanical characteristics

Manufacturing material	Palazzoli Thermosetting GRP
Treatment type	-
Surface finishing	-
Color	Black RAL 9005
Width	125 mm
Execution	Wall mounting
Hole type	M32
IP Protection degree	IP66
Additional IPdegree protection	IP66/IP67 - IEC 60309-1
Shock resistance	7J (IEC 60079-0)
Resistance to Glow wire	960°C
Flame rating according UL94	V-0
Corrosivity category	-
Net Weight	2.5 KG
Working Environment Temp.	Min: -40°C ;Max: +50°C
Warehousing Temperature	Min: -50°C ;Max: +80°C

### Technical data switch

Thermal current	16 A
Rated short-circuit current	10 kA
Terminals type	Screw - indirect clamping
Conductors section (Cu)	Min: 1 mm <sup>2</sup> ;Max: 10 mm <sup>2</sup>
Terminal tightening torque	2 Nm
Auxiliary status contacts	-
Padlockable handle	3 locks Ø8 mm max

### Operating category

Categoria Rating	Tensione Voltage	Corrente / Potenza Current / Power
AC-22A	110 V	16 A
	230 V	16 A
	400 V	16 A
	500 V	16 A
AC-23A	110 V	16 A
	230 V	16 A
	400 V	16 A
	500 V	16 A
AC-23A	110 V	2.4 kW
	230 V	5.1 kW
	400 V	8.9 kW
	500 V	11.1 kW

### Atex characteristics

ATEX application zone	Zones 2-21-22
Dust Atex execution (Tmax1)	II 2D - Ex tb IIIC T70°C Db
Gas Atex execution (Tmax1)	II 3G - Ex ec nC IIC T6 Gc

### Reference Standards and Directives

Certification and approval marks	EX, CE, IECEx
Directives	2011/65/EU (RoHS), 2012/19/EU (WEEE), 2014/34/EU (ATEX)
Reference Standards	EN 60079-15:2010 , EN 60079-31:2014, EN 60079-7:2015, EN 60079-7:2015/A1:2018, EN IEC 60079-0:2018, EN IEC 60309-1:2022, EN IEC 60309-1:2022/AC:2023-06, EN IEC 60309-2:2022, EN IEC 60309-4:2022, EN IEC 63000:2018

The images are purely indicative. Palazzoli reserves the right to make changes without notice.