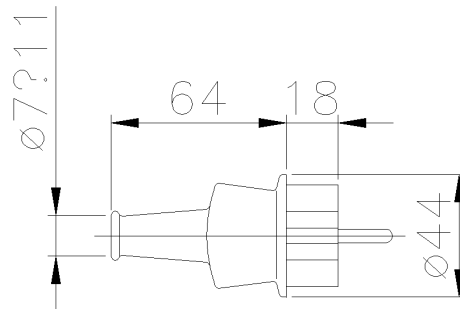




**SERIES SPIN
PLUG
CODE 437012**



Datasheet

Electrical characteristics

Rated current	16A
Supply Voltage	250V~ 50/60Hz
Poles	2P+ \perp
Clock Position	-
Rated insulation voltage	500 V
Signal plug inserted	-

Reference Standards and Directives

Certification and approval marks	CB IMQ, CE, IMQ
Directives	2011/65/EU (RoHS), 2012/19/EU (WEEE), Reg. EU 2023/988 (GPSR)
Reference Standards	CEI 23-50/V1:2008, CEI 23-50/V2:2011, CEI 23-50/V3:2015, CEI 23-50/V4:2015, CEI 23-50:2007, EN IEC 63000:2018, IEC 60884-1/A1:2006, IEC 60884-1/A2:2013, IEC 60884-1:2002

Mechanical characteristics

Manufacturing material	Elastomer
Alveolus/plugs treatment	Nickel plated
Color	Blue RAL 5015
Tightening diameter	-
Execution	Mobile
IP Protection degree	IP44
Additional IPdegree protection	-
Shock resistance	IK10 according to IEC/EN 62262
Resistance to Glow wire	850°C (Live contacts), 750°C (Casing)
Flame rating according UL94	-
Terminals type	Screw - direct tightening
Conductors section (Cu)	Min: 0.75 mm ² ;Max: 1.5 mm ²
Terminal tightening torque	-
Net Weight	0.07 KG
Working Environment Temp.	Min: -25°C ;Max: +50°C
Warehousing Temperature	Min: -30°C ;Max: +70°C

The images are purely indicative. Palazzoli reserves the right to make changes without notice.