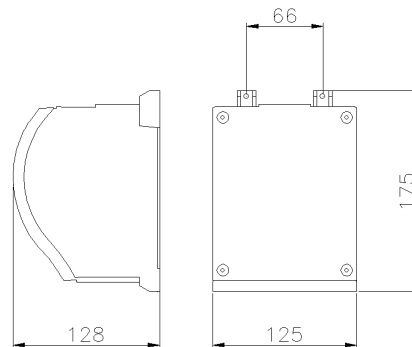




**SERIES ULYSSE
ENCLOSURE
CODE 415001**



Datasheet

Electrical characteristics

Insulation Class	II
Rated insulation voltage	-
Rated operating voltage	-
Dissipable Power	17W

Mechanical characteristics

Manufacturing material	Palazzoli Thermosetting GRP
Treatment type	-
Surface finishing	-
Color	Blue RAL 5015 (Cover), Grey RAL 7035 (Base)
Execution	Wall mounting
Height Box	120 mm
Cover height	54.9 mm
Cover type	Blind
N. of modules on DIN rail	-
Hole type	Pg21
Window type	-
IP Protection degree	IP66/IP67
Additional IPdegree protection	-
Shock resistance	IK10 according to IEC/EN 62262
Resistance to Glow wire	960°C
Flame rating according UL94	V-0
Corrosivity category	-
Working Environment Temp.	Min: -25°C ;Max: +50°C
Warehousing Temperature	Min: -50°C ;Max: +80°C
Dimensions	125X175X128 mm
Internal dimensions	-
Net Weight	0.918 KG

Reference Standards and Directives

Certification and approval marks CE, UKCA

Directives 2014/35/EU (LVD)

Reference Standards EN 60670-1:2005, EN 60670-1:2005/A1:2013, EN 60670-1:2005/AC:2007, EN 60670-1:2005/AC:2010, EN 60670-22:2006, EN 62208:2011

The images are purely indicative. Palazzoli reserves the right to make changes without notice.