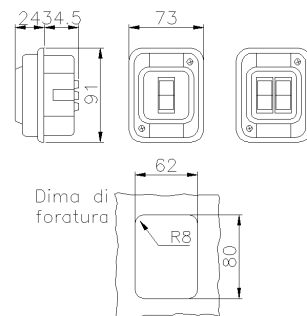




**SERIES TAIS-MIGNON  
SWITCH**

**CODE 202291**



### Datasheet

#### Electrical characteristics

Rated current	16/10A
Supply Voltage	250V~/400V~ 50/60Hz
Poles	1P
Rated insulation voltage	-
Insulation Class	II
CAM layout	-
Function Apparatus Control	One way switches
Type of protection	-

#### Mechanical characteristics

Manufacturing material	Palazzoli Thermosetting GRP
Treatment type	-
Surface finishing	-
Color	Grey RAL 7035 (Base), Blue RAL 5015 (Cover)
Execution	Board
Dimensions	91X73X59 mm
Depth	35
Front-plate dimension	-
Hole type	-
IP Protection degree	IP66/IP67
Additional IPdegree protection	-
Shock resistance	IK04 according to IEC/EN 62262
Resistance to Glow wire	960°C
Flame rating according UL94	V-0
Corrosivity category	-
Net Weight	0.16 KG
Working Environment Temp.	Min: -25°C ;Max: +70°C
Warehousing Temperature	Min: -50°C ;Max: +80°C

#### Technical data switch

Thermal current	16 A
Rated short-circuit current	-
Terminals type	-
Conductors section (Cu)	Min: ;Max:
Terminal tightening torque	-
Auxiliary status contacts	-
Padlockable handle	-
Operating category	-

#### Reference Standards and Directives

Certification and approval marks	CE, NYCE COLOMBIA, IMQ, RINA_ELE20321CS, CB IMQ, UKCA
Directives	2011/65/EU (RoHS), 2012/19/EU (WEEE), 2014/35/EU (LVD)
Reference Standards	EN 60669-1:2018, EN 60669-1:2018/AC:2018-11, EN 60669-1:2018/AC:2020-02, EN IEC 63000:2018

The images are purely indicative. Palazzoli reserves the right to make changes without notice.