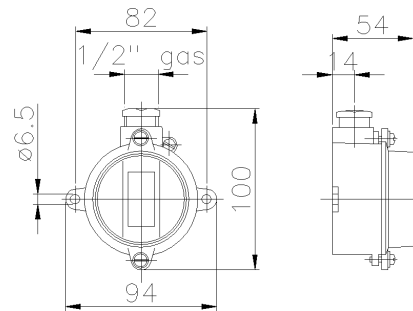




**SERIES RONDO'
SWITCH**
CODE 201162



Datasheet

Electrical characteristics

Rated current	16/10A
Supply Voltage	250V~/400V~ 50/60Hz
Poles	2P
Rated insulation voltage	-
Insulation Class	I
CAM layout	-
Function Apparatus Control	One way switches
Type of protection	-

Mechanical characteristics

Manufacturing material	Aluminum alloy
Treatment type	Fluorozirconic passivation
Surface finishing	Non-toxic polyester paint anti UV curing in the oven
Color	Blue RAL 5012 (Cover), Grey RAL 7035 (Base)
Execution	Wall mounting
Dimensions	104X94X54 mm
Depth	-
Front-plate dimension	-
Hole type	M20
IP Protection degree	IP55
Additional IPdegree protection	-
Shock resistance	IK08 according to IEC/EN 62262
Resistance to Glow wire	-
Flame rating according UL94	-
Corrosivity category	-
Net Weight	0.24 KG
Working Environment Temp.	Min: -25°C ;Max: +70°C
Warehousing Temperature	Min: -50°C ;Max: +80°C

Technical data switch

Thermal current	16 A
Rated short-circuit current	-
Terminals type	-
Conductors section (Cu)	Min: ;Max:
Terminal tightening torque	-
Auxiliary status contacts	-
Padlockable handle	-
Operating category	-

Reference Standards and Directives

Certification and approval marks	CB IMQ, UKCA, IMQ, CE
Directives	2011/65/EU (RoHS), 2012/19/EU (WEEE), 2014/35/EU (LVD)
Reference Standards	EN 60669-1:2018, EN 60669-1:2018/AC:2018-11, EN 60669-1:2018/AC:2020-02, EN IEC 63000:2018

The images are purely indicative. Palazzoli reserves the right to make changes without notice.