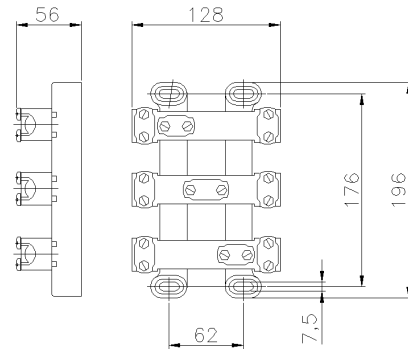




**SERIES CONTACT
TERMINAL BLOCK
CODE 159035**



Datasheet

Specifications

Connecting Terminals	Saddle terminals on ceramic base
Manufacturing material	Ceramic
Contact material	Brass
Terminals type	Screw - indirect clamping
No. poles for section	3x120 mm ²
Conductors section (Cu)	Min: 95 ;Max: 120 mm ²
Terminal tightening torque	2,5 Nm
Rated current	269A
Rated operating voltage	500V
Rated impul. withstand voltage	6,000
Functional maintenance	830°C 120' (IEC 60331-1) E30 - E60 - E90 (DIN 4102-12)
Working Environment Temp.	Min: -50°C ;Max: +100°C
Warehousing Temperature	Min: -50°C ;Max: +100°C
Net Weight	1.41 KG

Reference Standards and Directives

Directives	2011/65/EU (RoHS)2012/19/EU (WEEE)2014/35/EU (LVD)
Reference Standards	EN 60999-2:2003EN IEC 63000:2018

The images are purely indicative. Palazzoli reserves the right to make changes without notice.