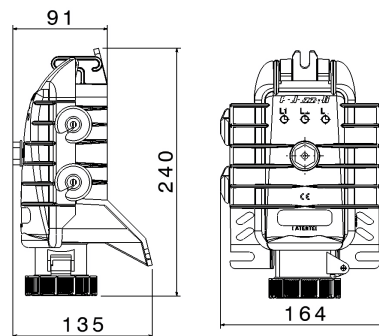




**SERIES TUNNEL LED ENCLOSURE**

**CODE 158201**



### Datasheet

#### Electrical characteristics

Insulation Class	II
Rated insulation voltage	-
Rated operating voltage	-
Connecting Terminals	-
Type of protection	-
Fuse Type	-

#### Mechanical characteristics

Manufacturing material	Technopolymer Recyclable Palazzoli
Treatment type	-
Surface finishing	-
Color	Blue RAL 5012 (Cover), Grey RAL 7035 (Base)
Execution	Wall mounting
Hole type	-
Direct output	-
IP Protection degree	IP66
Shock resistance	IK10 according to IEC/EN 62262
Resistance to Glow wire	-
Flame rating according UL94	-
Corrosivity category	C4 (ISO 12944)
Working Environment Temp.	Min: -25°C ;Max: +50°C
Warehousing Temperature	Min: -30°C ;Max: +70°C
Line cable sections	4-16
Dimensions	164X242X135 mm
Net Weight	1.217 KG

#### Reference Standards and Directives

Certification and approval marks	UKCA, CE
Directives	2011/65/EU (RoHS), 2012/19/EU (WEEE), 2014/35/EU (LVD)
Reference Standards	CEI 64-20:2015, EN 60309-1:1999, EN 60309-1:1999/A1:2007, EN 60309-1:1999/A1AC:2014, EN 60309-1:1999/A2:2012, EN 60309-2:1999, EN 60309-2:1999/A1:2007, EN 60309-2:1999/A2:2012, EN 60529:1991, EN 60529:1991/A1:2000, EN 60529:1991/A2:2013, EN 60998-1:2004, EN 60998-2-3:2004, EN IEC 63000:2018

The images are purely indicative. Palazzoli reserves the right to make changes without notice.