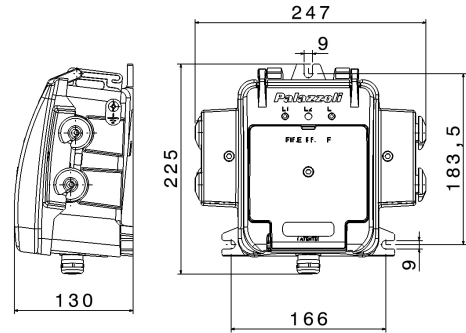




SERIES TUNNEL LED ENCLOSURE

CODE 158111



Datasheet

Electrical characteristics

Insulation Class	II
Rated insulation voltage	-
Rated operating voltage	-
Fuse Type	FUSE 2 X 4A D01

Mechanical characteristics

Manufacturing material	Aluminum alloy
Treatment type	Fluorozirconic passivation
Surface finishing	Non-toxic polyester paint anti UV curing in the oven
Color	Blue RAL 5012 (Cover), Grey RAL 7035 (Base)
Execution	Wall mounting
Hole type	M20
IP Protection degree	IP66
Shock resistance	IK10 according to IEC/EN 62262
Resistance to Glow wire	-
Flame rating according UL94	-
Corrosivity category	C4 (ISO 12944)
Working Environment Temp.	Min: -40°C ;Max: +70°C
Warehousing Temperature	Min: -50°C ;Max: +90°C
Line cable sections	4-35
Dimensions	247X229X127 mm
Net Weight	3,000 G

Reference Standards and Directives

Certification and approval marks	IMQ FIRE, UKCA, CE
Directives	2011/65/EU (RoHS), 2012/19/EU (WEEE), 2014/35/EU (LVD)
Reference Standards	CEI 64-20:2015, EN 50362:2003, EN 60529:1991, EN 60529:1991/A1:2000, EN 60529:1991/A2:2013, EN 60998-1:2004, EN 60998-2-3:2004, EN IEC 60331-1:2019, EN IEC 63000:2018, Linee Guida per la progettazione della Sicurezza nelle Gallerie Stradali: Ed.2:2009 par. 3.3.2.1.1 e 3.3.2.1.2, Linee Guida per la progettazione della Sicurezza nelle Gallerie Stradali: Ed.2:2009 par. 3.4.2.1.1 e 3.4.2.1.2

The images are purely indicative. Palazzoli reserves the right to make changes without notice.