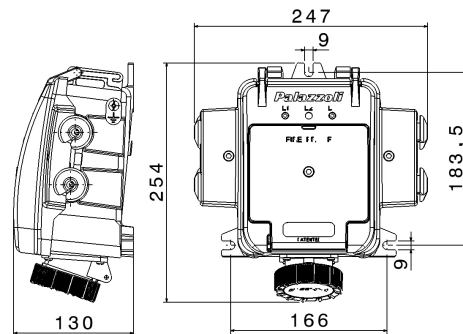




**SERIES TUNNEL LED ENCLOSURE**

**CODE 157001**



### Datasheet

#### Electrical characteristics

Insulation Class	I
Rated insulation voltage	-
Rated operating voltage	-
Connecting Terminals	-
Type of protection	-
Fuse Type	FUSE 1 X 4A D01

#### Mechanical characteristics

Manufacturing material	Aluminum alloy
Treatment type	Fluorozirconic passivation
Surface finishing	Non-toxic polyester paint anti UV curing in the oven
Color	Blue RAL 5012 (Cover), Grey RAL 7035 (Base)
Execution	Wall mounting
Hole type	-
Direct output	-
IP Protection degree	IP66
Shock resistance	IK10 according to IEC/EN 62262
Resistance to Glow wire	-
Flame rating according UL94	-
Corrosivity category	C4 (ISO 12944)
Working Environment Temp.	Min: -25°C ;Max: +50°C
Warehousing Temperature	Min: -30°C ;Max: +70°C

Line cable sections	4-35
Dimensions	247X229X127 mm
Net Weight	3.1 KG

#### Reference Standards and Directives

Certification and approval marks UKCA, CE, IMQ FIRE

Directives 2011/65/EU (RoHS), 2012/19/EU (WEEE), 2014/35/EU (LVD)

Reference Standards CEI 64-20:2015, EN 50362:2003, EN 60309 -1:1999, EN 60309-1:1999/A1:2007, EN 60309-1:1999/A1AC:2014, EN 60309 -1:1999/A2:2012, EN 60309-2:1999, EN 60309-2:1999/A1:2007, EN 60309 -2:1999/A2:2012, EN 60529:1991, EN 60529:1991/A1:2000, EN 60529:1991/A2:2013, EN 60998-1:2004, EN 60998-2-3:2004, EN IEC 60331-1:2019, EN IEC 63000:2018, Linee Guida per la progettazione della Sicurezza nelle Gallerie Stradali: Ed.2:2009 par. 3.3.2.1.1 e 3.3.2.1.2, Linee Guida per la progettazione della Sicurezza nelle Gallerie Stradali: Ed.2:2009 par. 3.4.2.1.1 e 3.4.2.1.2

The images are purely indicative. Palazzoli reserves the right to make changes without notice.