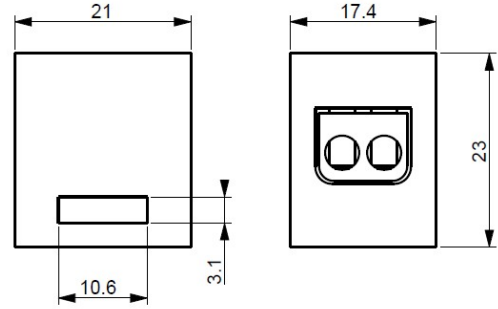




**SERIES CONTACT
TERMINAL BLOCK
CODE 151721**



Datasheet

Specifications

Connecting Terminals	Double clamp connected
Manufacturing material	Ceramic
Contact material	Nickel plated brass
Terminals type	Screw - direct tightening
No. poles for section	2x6 mm ²
Conductors section (Cu)	Min: 0.5 ;Max: 6 mm ²
Terminal tightening torque	0,5 Nm
Rated current	41A
Rated operating voltage	750 V
Rated impul. withstand voltage	6,000
Functional maintenance	830°C 120' (IEC 60331-1) E30 - E60 - E90 (DIN 4102-12)
Working Environment Temp.	Min: -50°C ;Max: +250°C
Warehousing Temperature	Min: -50°C ;Max: +100°C
Net Weight	0.02 KG

Reference Standards and Directives

Directives	2011/65/EU (RoHS)2012/19/EU (WEEE)2014/35/EU (LVD)
Reference Standards	EN 60998-1:2004EN 60998-2-1:2004EN 60999-1:2000EN IEC 63000:2018

The images are purely indicative. Palazzoli reserves the right to make changes without notice.