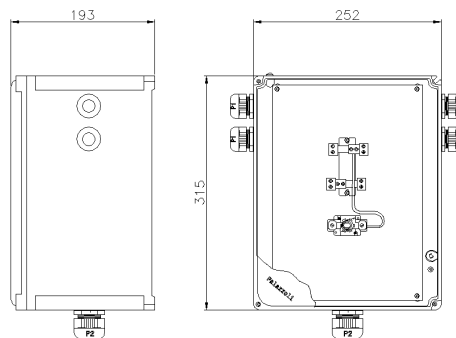




**SERIES TUNNEL LED
ENCLOSURE**

CODE 151045



Datasheet

Electrical characteristics

Insulation Class	I
Rated insulation voltage	-
Rated operating voltage	-
Dissipable Power	-
Fuse Type	FUSE 1 X 4A D01

Mechanical characteristics

Manufacturing material	Marine aluminium alloy (EN 44300)
Treatment type	Fluorozirconic passivation
Surface finishing	Non-toxic polyester paint anti UV curing in the oven
Color	Grey RAL 7035 (Base), Blue RAL 5012 (Cover)
Execution	Wall mounting
Hole type	M32
IP Protection degree	IP66
Additional IPdegree protection	-
Shock resistance	IK10 according to IEC/EN 62262
Resistance to Glow wire	-
Flame rating according UL94	-
Corrosivity category	C4 (ISO 12944)
Working Environment Temp.	Min: -40°C ;Max: +70°C
Warehousing Temperature	Min: -50°C ;Max: +90°C

Dimensions	252X315X193 mm
Internal dimensions	-
Net Weight	6.8 KG

Reference Standards and Directives

Certification and approval marks CE, UKCA, INTEK FIRE

Directives 2011/65/EU (RoHS), 2012/19/EU (WEEE), 2014/35/EU (LVD)

Reference Standards CEI 64-20:2015, EN 50362:2003, EN 60529:1991, EN 60529:1991/A1:2000, EN 60529:1991/A2:2013, EN 60999-2:2003, EN IEC 60331-1:2019, EN IEC 63000:2018, Linee Guida per la progettazione della Sicurezza nelle Gallerie Stradali: Ed.2:2009 par. 3.3.2.1.1 e 3.3.2.1.2, Linee Guida per la progettazione della Sicurezza nelle Gallerie Stradali: Ed.2:2009 par. 3.4.2.1.1 e 3.4.2.1.2

The images are purely indicative. Palazzoli reserves the right to make changes without notice.