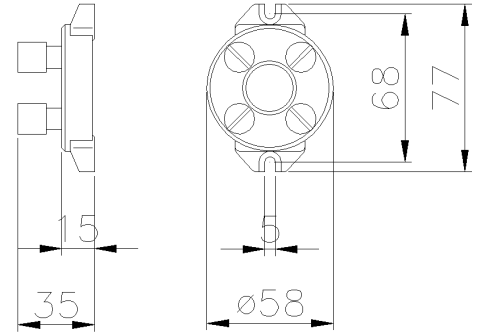


SERIES RONDO´
TERMINAL BLOCK
CODE 113094



Datasheet

Specifications

Net Weight	0.14 KG
Rated operating voltage	500V
Connecting Terminals	Cage terminals on ceramic base
No. poles for section	4x10 mm ²
Rated impul. withstand voltage	6,000 V

Reference Standards and Directives

Certification and approval marks UKCA, CE

Directives 2011/65/EU (RoHS), 2012/19/EU (WEEE), 2014/35/EU (LVD)

Reference Standards EN 60999-1:2000, EN IEC 63000:2018

The images are purely indicative. Palazzoli reserves the right to make changes without notice.