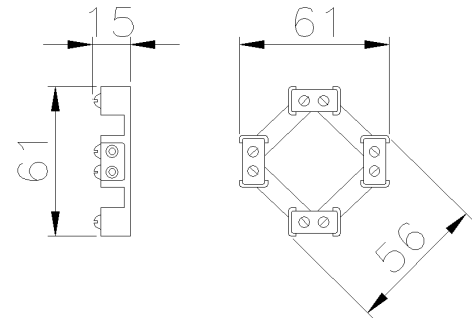


**SERIES TAIS-MIGNON
TERMINAL BLOCK
CODE 101095**



Datasheet

Specifications

Net Weight	0.034 KG
Rated operating voltage	400V ●
Connecting Terminals	Octagonal on technopolymer base
No. poles for section	4x6 mm ²

Reference Standards and Directives

Certification and approval marks CE, UKCA

Directives 2011/65/EU (RoHS), 2012/19/EU (WEEE), 2014/35/EU (LVD)

Reference Standards EN 60999-1:2000, EN IEC 63000:2018

The images are purely indicative. Palazzoli reserves the right to make changes without notice.