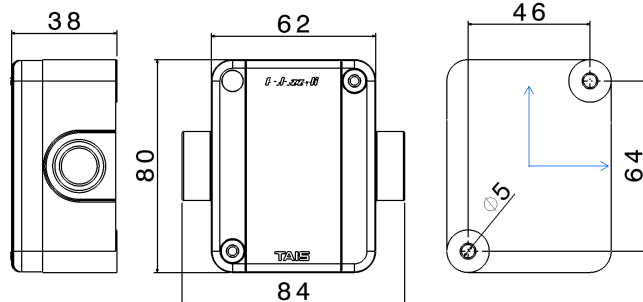




**SERIES TAIS-MIGNON  
ENCLOSURE**

**CODE 101045**



### Datasheet

#### Electrical characteristics

Insulation Class	II
Rated insulation voltage	-
Rated operating voltage	-
Dissipable Power	-

#### Mechanical characteristics

Manufacturing material	Palazzoli Thermosetting GRP
Treatment type	-
Surface finishing	-
Color	Blue RAL 5015 (Cover), Grey RAL 7035 (Base)
Execution	Wall mounting
Height Box	36 mm
Cover height	9 mm
Cover type	Blind
N. of modules on DIN rail	-
Hole type	M20
Window type	
IP Protection degree	IP65
Additional IPdegree protection	-
Shock resistance	IK04 according to IEC/EN 62262
Resistance to Glow wire	960°C
Flame rating according UL94	V-0
Corrosivity category	-
Working Environment Temp.	Min: -25°C ;Max: +70°C
Warehousing Temperature	Min: -50°C ;Max: +80°C
Dimensions	62X80X38 mm
Internal dimensions	-
Net Weight	0.2 KG

#### Reference Standards and Directives

Certification and approval marks NYCE COLOMBIA, UKCA, CE

Directives 2011/65/EU (RoHS), 2012/19/EU (WEEE), 2014/35/EU (LVD)

Reference Standards EN 60670-1:2005, EN 60670-1:2005/A1:2013, EN 60670-1:2005/AC:2007, EN 60670-1:2005/AC:2010, EN 60670-22:2006, EN IEC 63000:2018

The images are purely indicative. Palazzoli reserves the right to make changes without notice.